

Anaesthesiology



CE 0197



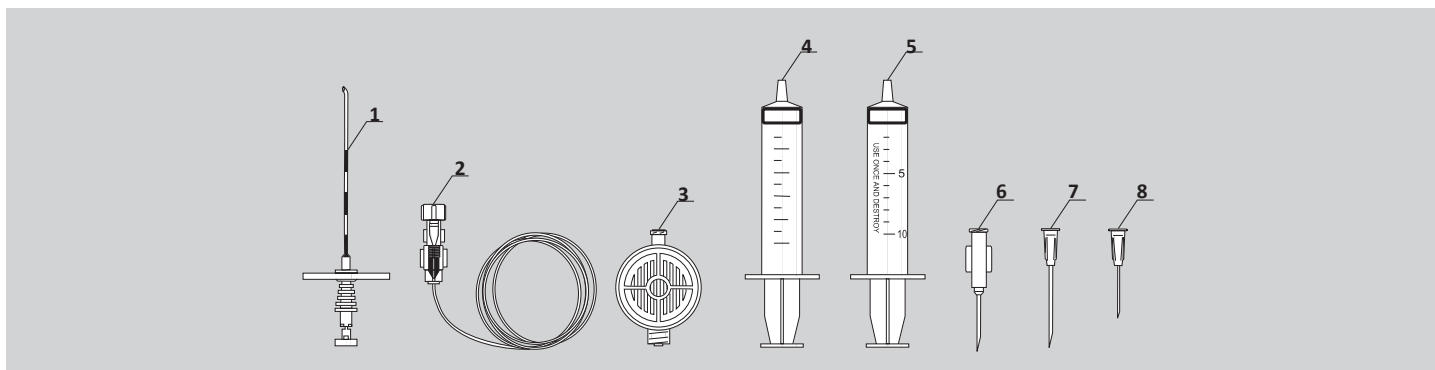
Anaesthesiology

EPIDURAL ANAESTHESIA SET large, advanced	2
EPIDURAL ANAESTHESIA SET small	2
COMBINED ANAESTHESIA SET (epidural-spinal block set, advanced) NEEDLE IN THE NEEDLE TYPE	3
COMBINED ANAESTHESIA SET (epidural-spinal block set, small) NEEDLE IN THE NEEDLE TYPE	3
LARGE VESSEL CATHETERIZATION SET single lumen with split cannula, pediatric	4
LARGE VESSEL CATHETERIZATION SET with single lumen cannula, Seldinger method, pediatric	4
LARGE VESSEL CATHETERIZATION SET with single lumen cannula, Seldinger method	5
LARGE VESSEL CATHETERIZATION SET with double lumen cannula, Seldinger method	5
LARGE VESSEL CATHETERIZATION SET with triple lumen cannula, Seldinger method	6
LARGE VESSEL CATHETERIZATION SET with quadruple lumen cannula, Seldinger method	6
THERMODILUTION SET "BALKAT"	7
ANALGETIC CONTROL SET	8
SPINAL ANAESTHESIA BLOCK SET with Pencil-Point needle	8
SPINAL ANAESTHESIA BLOCK SET with Standard needle	9
SPINAL ANAESTHESIA NEEDLE Pencil-Point type	9
SPINAL ANAESTHESIA NEEDLE Standard (QUINCKE point)	10
LUMBAR PUNCTURE NEEDLE (spinal needle STANDARD)	10
BIOPSY NEEDLES WESTCOTT TYPE	11
BIOPSY NEEDLES MADAYAG TYPE also recommended as a needle for neurolysis	11
UPPER RESPIRATORY TRACTS ASPIRATION CATHETERS	12
PEDIATRIC POLYURETHANE CATHETER FOR UMBILICAL VEIN FEEDING CATHETERS	13
CATHETER FOR OXYGEN RHYNSCOPICAL ADMINISTRATION	14
DRAIN TUBING	14
INFUSION PUMP EXTENDERS	15
INFUSION PUMP EXTENDERS WITH THREE-WAY STOPCOCK with Luer-Lock hub	15
INFUSION PUMP EXTENDERS DUET with Luer-Lock hub	16
NEONATAL MECONIUM ASPIRATOR	16
TWO-WAY STOPCOCK MANIFOLDS	17
THREE-WAY STOPCOCK MANIFOLDS	17
ONE-WAY STOPCOCK	18
THREE-WAY STOPCOCK	18
CENTRAL VENOUS PRESSURE MEASUREMENT SET	19

EPIDURAL ANAESTHESIA SET - LARGE, advanced

Set components:

- | | |
|--------------------------------------|---|
| 1 - Tuohy needle | 5 - 10 ml regular syringe |
| 2 - epidural catheter | 6 - scarifier 1.6 x 35 mm |
| 3 - flat epidural filter 0.2 μ m | 7 - needle for drug administration 0.9 x 40 mm |
| 4 - 10 ml low resistance syringe | 8 - needle for subcutaneous anaesthesia 0.5 x 25 mm |



Reference:	Catheter size	Tuohy needle size / length
ZZOR19G	22G (pediatric)	19G / 50 mm
ZZOR18G	20G	18G / 80 mm
ZZOR17G	19G	17G / 80 mm
ZZOR16G	18G	16G / 80 mm

Epidural anaesthesia set enables continued or multiple administration of analgetic agents. Accessory devices increase the comfort of procedure performance.

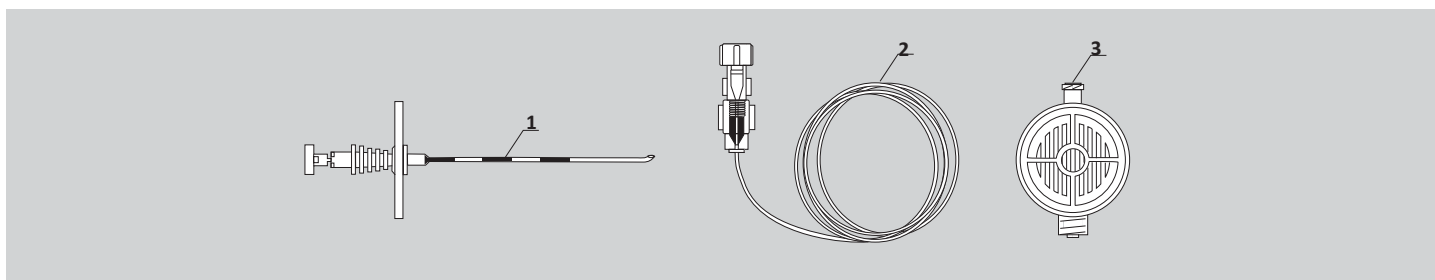
When ordering use Ref. Number, e.g.: ZZOR18G

NOTE: Single components of the set can be purchased.

EPIDURAL ANAESTHESIA SET, small

Set components:

- 1 - Tuohy needle
- 2 - epidural catheter length: 100 cm
- 3 - flat epidural filter 0.2 μ m



Reference:	Catheter size	Tuohy needle size / length
ZZOM19G	22G (pediatric)	19G / 50 mm
ZZOM18G	20G	18G / 80 mm
ZZOM17G	19G	17G / 80 mm
ZZOM16G	18G	16G / 80 mm

Epidural anaesthesia set enables continued or multiple administration of analgetic agents.

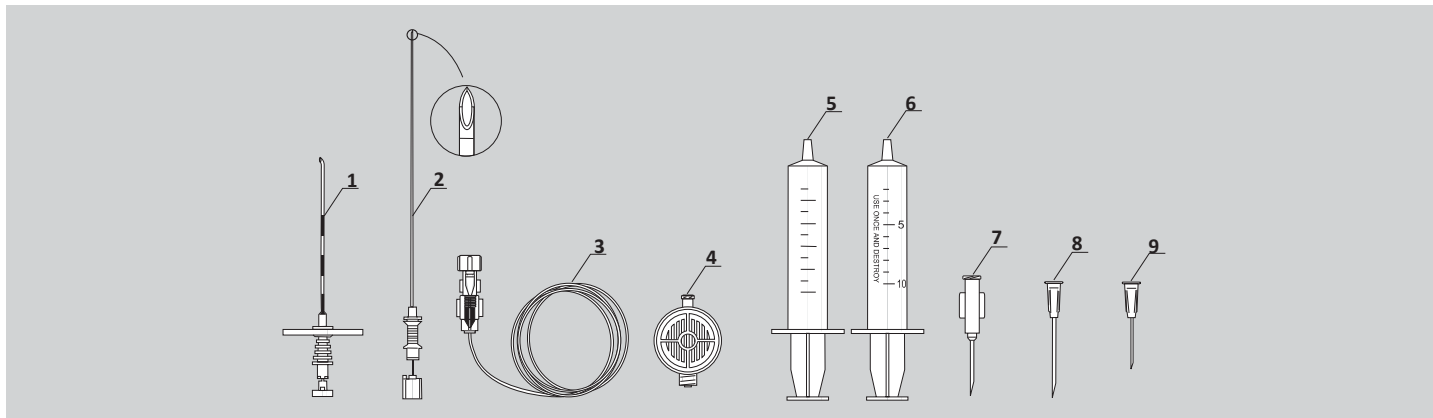
NOTE: The set can be purchased together with a low-resistance syringe..

When ordering use Ref. Number, e.g.: ZZOM18GSN

COMBINED ANAESTHESIA SET (epidural-spinal block set, advanced) NEEDLE IN THE NEEDLE TYPE

Set components:

- | | |
|--|---|
| 1 - Tuohy needle | 6 - 10 ml regular syringe |
| 2 - spinal needle, standard tip 26G/130 mm | 7 - scarifier 1.6 x 35 mm |
| 3 - epidural catheter | 8 - needle for drug administration 0.9 x 40 mm |
| 4 - flat epidural filter 0.2 µm | 9 - needle for subcutaneous anaesthesia 0.5 x 25 mm |
| 5 - low-resistance syringe 10 ml | |



Reference:	Catheter size	Tuohy needle size	Spinal needle size / length
ZZOR18GI26130	20G	18G	26G / 130 mm
ZZOR16GI26130	18G	16G	26G / 130 mm

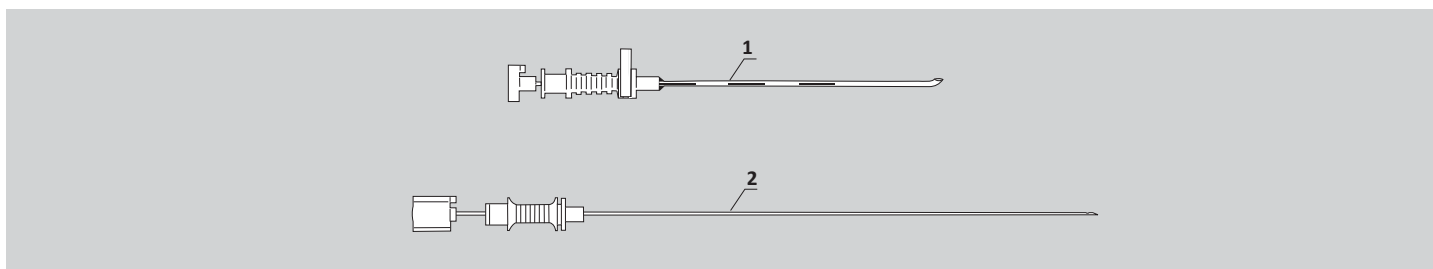
The combined anaesthesia set allows epidural and spinal anaesthesia using only one needle insertion site.

When ordering use Ref. Number, e.g.: ZZOR16GI 26130

COMBINED ANAESTHESIA SET (epidural-spinal block set, small) NEEDLE IN THE NEEDLE TYPE

Set components:

- 1 - Tuohy needle
- 2 - spinal needle 26G (STANDARD)



Reference:	Spinal needle size / length	Tuohy needle size
ZZK18G	26G / 130 mm	18G
ZZK16G	26G / 130 mm	16G

The combined anaesthesia set allows epidural and spinal anaesthesia using only one needle insertion site.

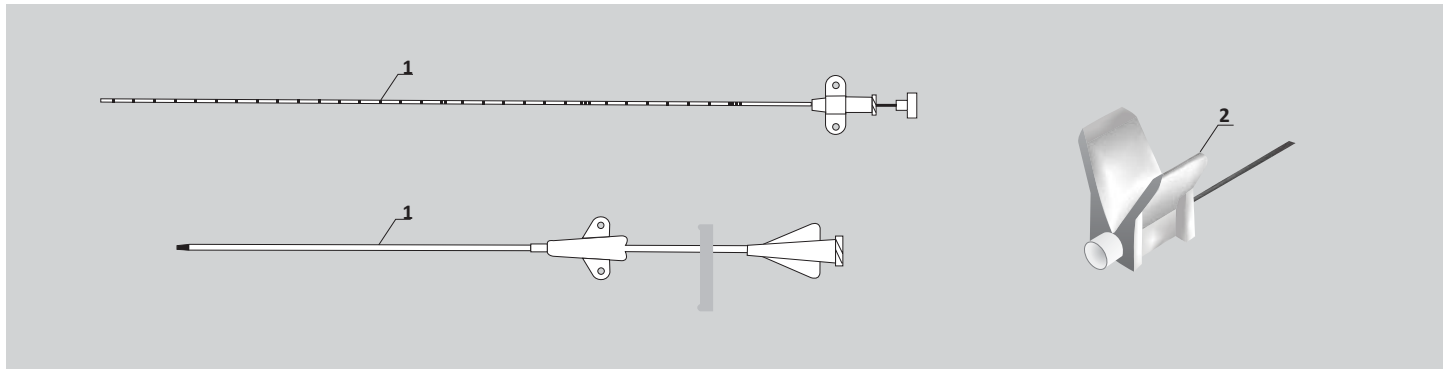
When ordering use Ref. Number, e.g.: ZZK18G

LARGE VESSEL CATHETERIZATION SET

single lumen with split cannula, pediatric

Set components:

- 1 - catheter 1.2F or 2F
- 2 - split cannula



Reference:	Catheter size / length	Split cannula size
KKDN1.2F32	1.2F / 32 cm	---
ZKDN1.2F32IR	1.2F / 32 cm	22G
ZKDN2F18IR	2F / 18 cm	20G
ZKDN2F32IR	2F / 32 cm	20G

NOTE: On request we provide catheters with hydrophilic surface protection.
When ordering use Ref. Number, e.g.: ZKDN 2F18IRH

LARGE VESSEL CATHETERIZATION SET

with single lumen cannula, Seldinger method, pediatric

2F set components:

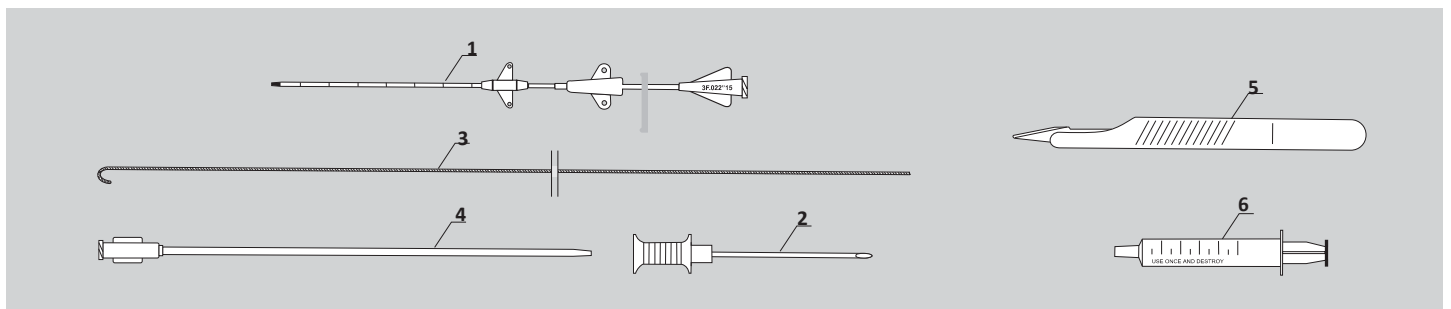
- 1 - catheter
- 2 - needle
- 3 - guide wire

3F set components:

- 1 - catheter
- 2 - needle
- 3 - guide wire
- 4 - dilatator
- 5 - scalpel
- 6 - syringe: 2.5 ml

4F set components:

- 1 - catheter
- 2 - needle
- 3 - guide wire
- 4 - dilatator
- 5 - scalpel
- 6 - syringe: 5 ml



Reference:	Catheter size / length	Dilatator size	Needle size	Guide wire size / length / type
ZKDN2F8	2F / 8 cm	---	22G	.014" / 35 cm / straight
ZKDN3F10	3F / 10 cm	4F	20G	.022" / 40 cm / "J"
ZKDN4F15	4F / 15 cm	5F	19G	.027" / 48 cm / "J"

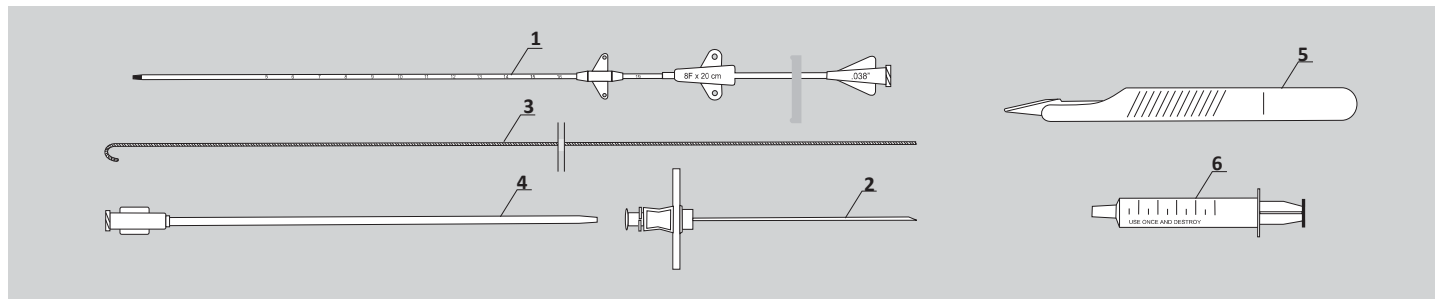
NOTE: On request we provide catheters with hydrophilic surface protection.
When ordering use Ref. Number, e.g.: ZKDN4F15H

LARGE VESSEL CATHETERIZATION SET with single lumen cannula, Seldinger method

Set components:

- 1 - catheter
- 2 - needle
- 3 - guide wire

- 4 - dilatator
- 5 - scalpel
- 6 - regular syringe 10 ml



Reference:	Catheter size / length	Dilatator size	Needle size	Guide wire size / length / type
ZKDN5F20	5F / 20 cm	6F	18G	.035" / 60 cm / "J"
ZKDN6F20	6F / 20 cm	7F	18G	.038" / 60 cm / "J"
ZKDN7F20	7F / 20 cm	8F	18G	.038" / 60 cm / "J"
ZKDN8F20	8F / 20 cm	9F	18G	.038" / 60 cm / "J"
ZKDN9F20	9F / 20 cm	10F	18G	.038" / 60 cm / "J"
ZKDN10F20	10F / 20 cm	10F	18G	.038" / 60 cm / "J"

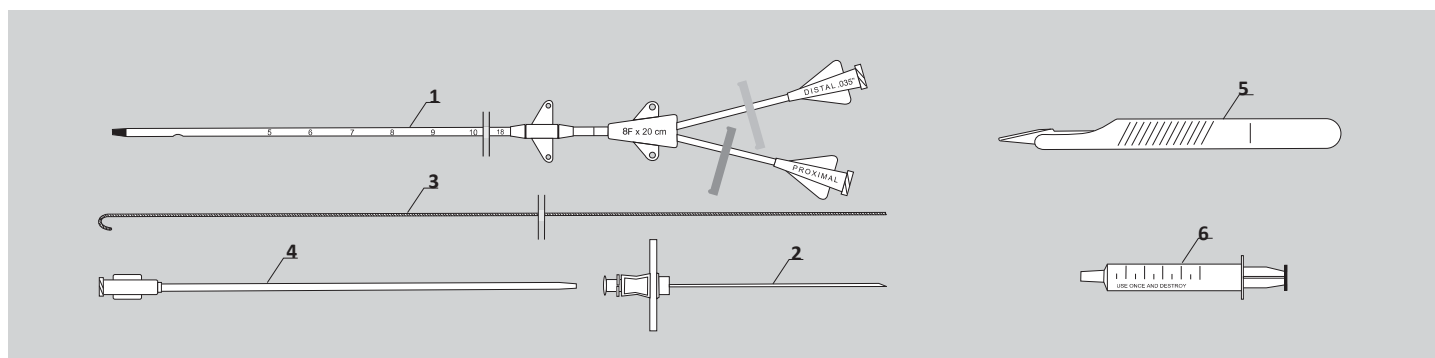
NOTE: On request we provide catheters with hydrophilic surface protection.
When ordering use Ref. Number, e.g.: ZKDN5F20H

LARGE VESSEL CATHETERIZATION SET with double lumen cannula, Seldinger method

Set components:

- 1 - catheter
- 2 - needle
- 3 - guide wire
- 4 - dilatator

- 5 - scalpel
- 6 - regular syringe 5 ml - for set 5F
10 ml - for sets 6F to 11F



Reference:	Catheter size / length	Dilatator size	Needle size	Guide wire size / length / type
ZKDND5F15	5F / 15 cm	6F	19G	.022" / 48 cm / "J"
ZKDND6F20	6F / 20 cm	7F	19G	.027" / 60 cm / "J"
ZKDND7F20	7F / 20 cm	8F	18G	.035" / 60 cm / "J"
ZKDND8F20	8F / 20 cm	9F	18G	.035" / 60 cm / "J"
ZKDND11F20	11F / 20 cm	12F	18G	.035" / 60 cm / "J"

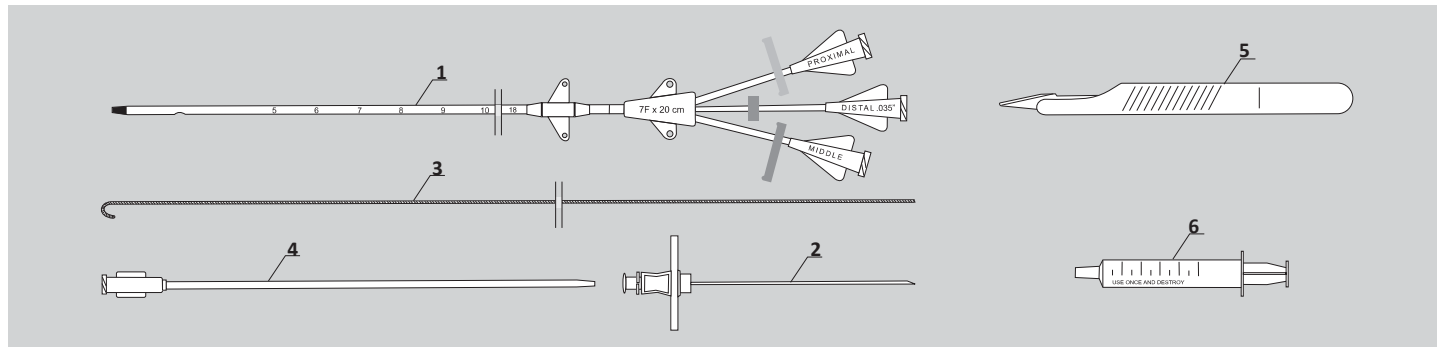
NOTE: On request we provide catheters with hydrophilic surface protection.
When ordering use Ref. Number, e.g.: ZKDND11F20

LARGE VESSEL CATHETERIZATION SET with triple lumen cannula, Seldinger method

Set components:

- 1 - catheter
- 2 - needle
- 3 - guide wire
- 4 - dilatator

- 5 - scalpel
- 6 - regular syringe 5 ml - for set 5.5F
10 ml - for set 7F



Reference:	Catheter size / length	Dilatator size	Needle size / length	Guide wire size / length / type
ZKDNT4.5F10	4.5F / 10 cm	5F	21G / 3.8 cm	.018" / 40 cm / "J"
ZKDNT5F15	5F / 15 cm	6F	19G / 5 cm	.022" / 48 cm / "J"
ZKDNT5.5F15	5.5F / 15 cm	6F	19G / 5 cm	.022" / 48 cm / "J"
ZKDNT6F15	6F / 15 cm	7F	19G / 5 cm	.027" / 48 cm / "J"
ZKDNT7F20	7F / 20 cm	8F	18G / 7 cm	.035" / 60 cm / "J"
ZKDNT8F20	8F / 20 cm	9F	18G / 7 cm	.035" / 60 cm / "J"

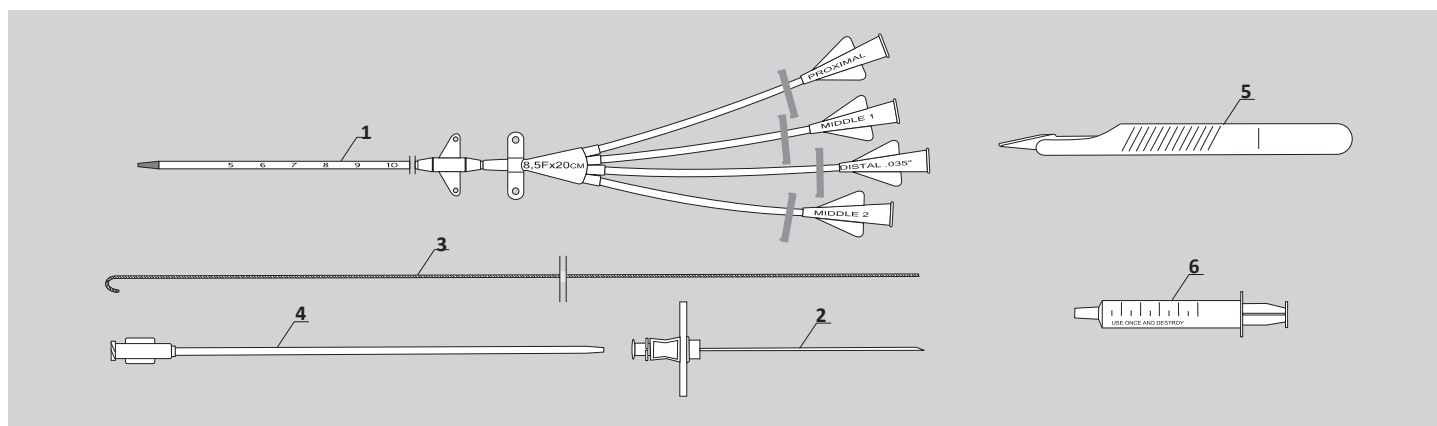
NOTE: On request we provide catheters with hydrophilic surface.
When ordering use Ref. Number, e.g.: ZKDNT7F20

LARGE VESSEL CATHETERIZATION SET with quadruple lumen cannula, Seldinger method

Set components:

- 1 - catheter
- 2 - needle
- 3 - guide wire

- 4 - dilatator
- 5 - scalpel
- 6 - regular syringe 10 ml



Reference:	Catheter size / length	Dilatator size	Needle size / length	Guide wire size / length / type
ZKDNI8.5F20	8.5F / 20 cm	9F	18G / 7 cm	.035" / 60 cm / "J"

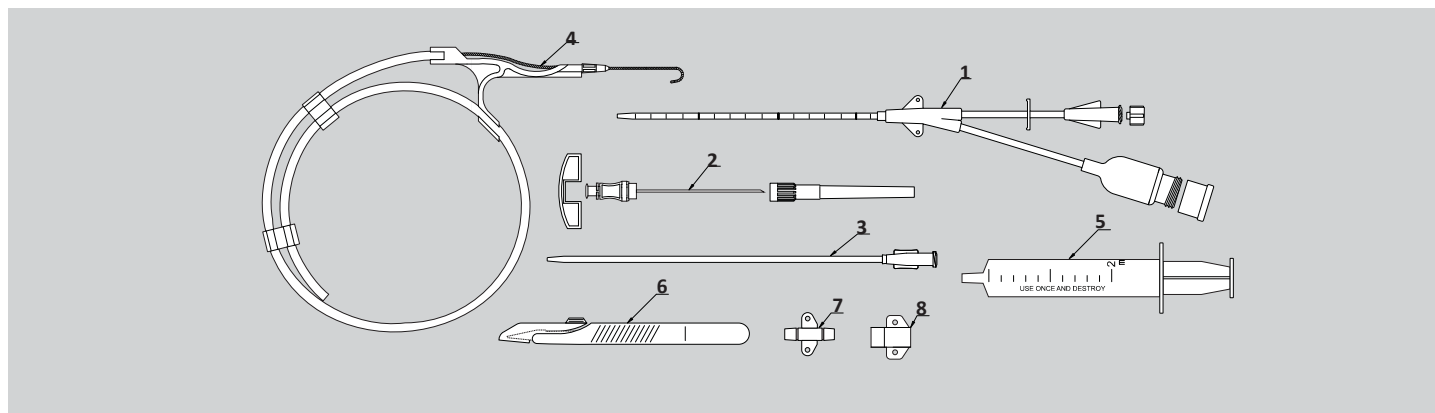
NOTE: On request we provide catheters with hydrophilic surface.
When ordering use Ref. Number, e.g.: ZKDNT7F20

THERMODILUTION SET **Balkat**

Set components:

- 1- Two-lumen catheter
- 2 - J Guidewire
- 3 - Dilatator
- 4 - Straight Needle

- 5 - Syringe
- 6 - Scalpel
- 7 - Butterfly
- 8 - Clamp



Thermodilution Set is indicated for haemodynamic monitoring by means of an invasive method.

This method combines transpulmonary thermodilution with a computer analysis of arterial pressure waveform; moreover, it allows to determine cardiac minute volume and cardiac contractility in a precise way. It also creates new possibilities regarding the quantitative determination of the hydration degree of pulmonary parenchyma, and the achieved results are easy to interpret clinically.

Reference:	Catheter diameter	Catheter length	Guidewire diameter / length	Needle diameter / length	Dilatator
ZKT4F8	4F	8 cm	.022" / 480mm	19G / 50mm	5F
ZKT4F16	4F	16 cm	.022" / 480mm	19G / 70mm	5F
ZKT4F22	4F	22 cm	.022" / 600mm	19G / 70mm	5F
ZKT4F50	4F	50 cm	.022" / 1000mm	19G / 50mm	5F
ZKT5F20	5F	20 cm	.022" / 600mm	19G / 70mm	6F

Technical data:

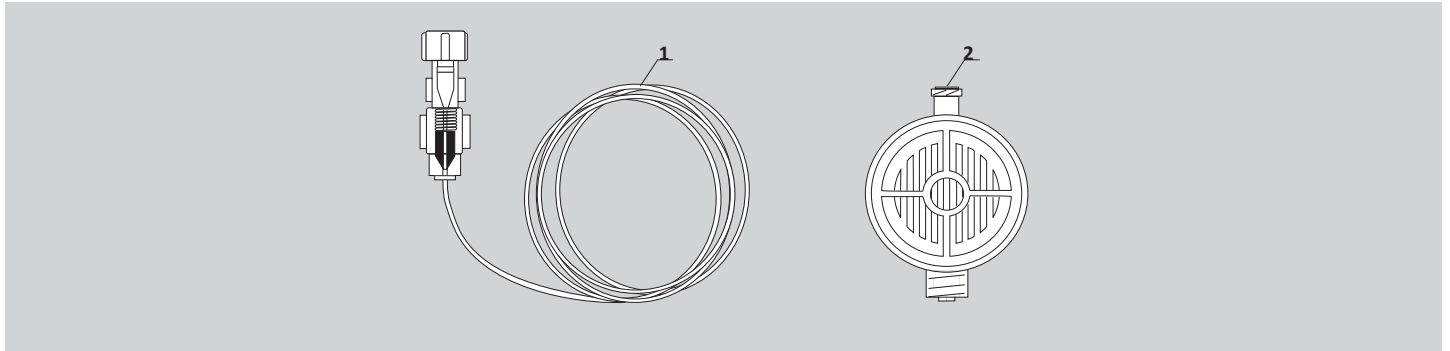
- Material: PU
- The length between the thermistor and catheter end: 5mm (+5mm / -0mm)
- Impedance for 37°C: 14.0kΩ±3%
- Temperature Measurement Range: 0°C - 50°C

When ordering use Ref. Number, e.g.: ZKT5F20.

ANALGETIC CONTROL SET

Set components:

- 1 - epidural catheter (with openings at 5 cm and 15 cm of the length)
- 2 - antibacterial filter 0.2 µm, approx 5 cm² of filtering surface



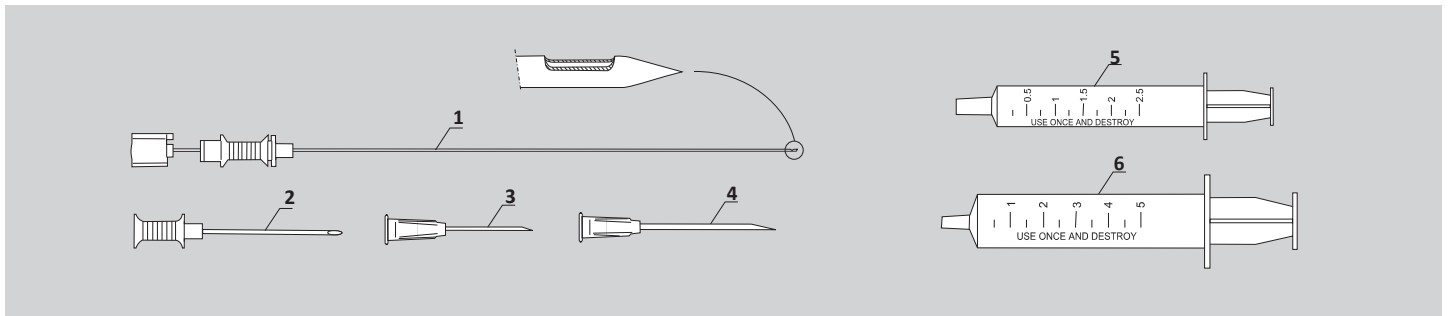
Reference:	Catheter size / length
ZA16G	16G / 90 cm
ZA17G	17G / 90 cm
ZA18G	18G / 90 cm
ZA19G	19G / 90 cm

A surgical wound analgesis set that enables multiple administration of analgetic agents, directly into the wound.
When ordering use Ref. Number, e.g.: ZA18G

SPINAL ANAESTHESIA BLOCK SET WITH PENCIL-POINT NEEDLE

Set components:

- 1 - PENCIL-POINT needle (Whitacre type)
- 2 - guiding needle
- 3 - subcutaneous anaesthesia needle 0.5 x 25 mm
- 4 - needle for medicine drawing 0.9 x 40 mm
- 5 - regular syringe 2.5 ml
- 6 - regular syringe 5 ml



Reference:	Guiding needle size	Spinal needle PENCIL-POINT size	Hub colour
ZIPPW24G	20G	24G	violet
ZIPPW25G	20G	25G	orange
ZIPPW26G	20G	26G	brown
ZIPPW27G	22G	27G	grey

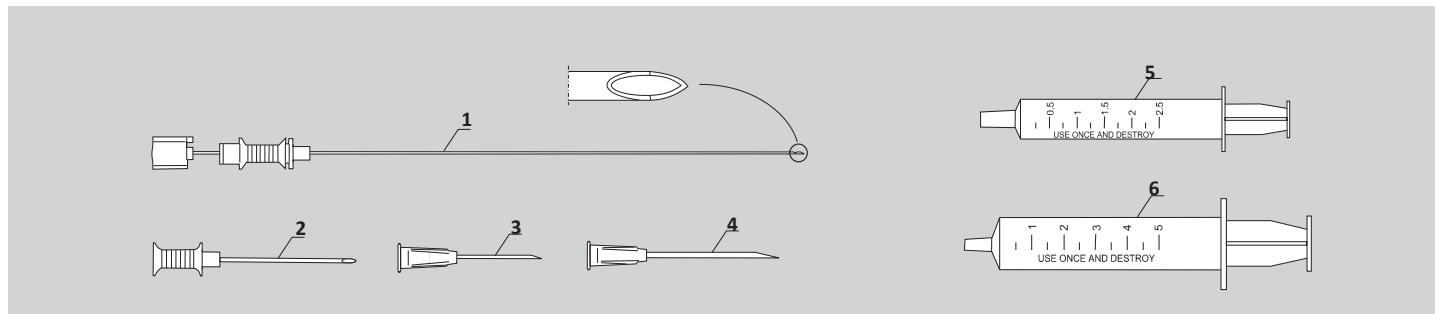
When ordering use Ref. Number, e.g.: ZIPPW27G

SPINAL ANAESTHESIA BLOCK SET WITH STANDARD NEEDLE

Set components:

- 1 - STANDARD needle (Quincke type)
2 - guiding needle
3 - subcutaneous anaesthesia needle 0.5 x 25 mm

- 4 - needle for medicine drawing 0.9 x 40 mm
5 - regular syringe 2.5 ml
6 - regular syringe 5 ml



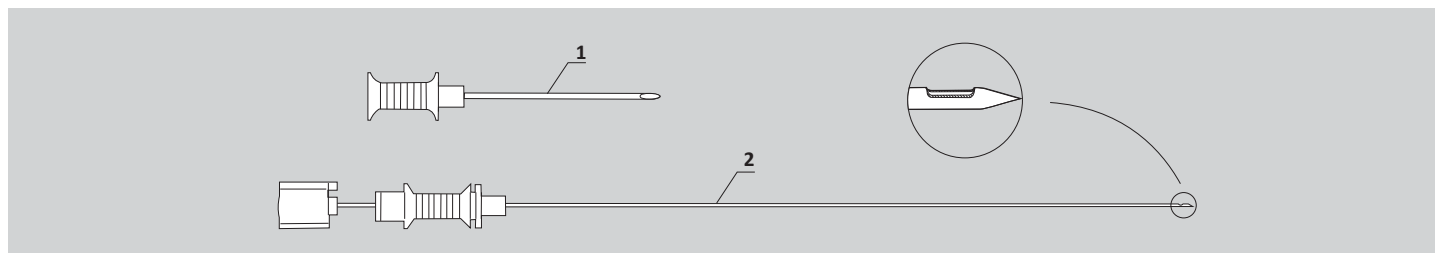
Reference:	Guiding needle size	Spinal needle STANDARD size / length	Hub colour
ZIPPS18G	---	18G / 90 mm	pink
ZIPPS19G	---	19G / 90 mm	cream
ZIPPS20G	---	20G / 90 mm	yellow
ZIPPS21G	---	21G / 90 mm	green
ZIPPS22G	---	22G / 90 mm	black
ZIPPS25G	20G	25G / 90 mm	orange
ZIPPS26G	20G	26G / 90 mm	brown
ZIPPS27G	22G	27G / 90 mm	grey
ZIPPS29G	22G	29G / 90 mm	red

When ordering use Ref. Number, e.g.: ZIPPS27G

SPINAL ANAESTHESIA NEEDLE, PENCIL-POINT TYPE

Set components:

- 1 - guiding needle
2 - spinal needle, Pencil-Point type



Reference:	Guiding needle size	Spinal needle PENCIL-POINT size / length	Hub colour
IPPW24G90	20G	24G / 90 mm	fioletowy
IPPW25G90	20G	25G / 90 mm	pomarańczowy
IPPW26G90	20G	26G / 90 mm	brązowy
IPPW27G90	22G	27G / 90 mm	szary

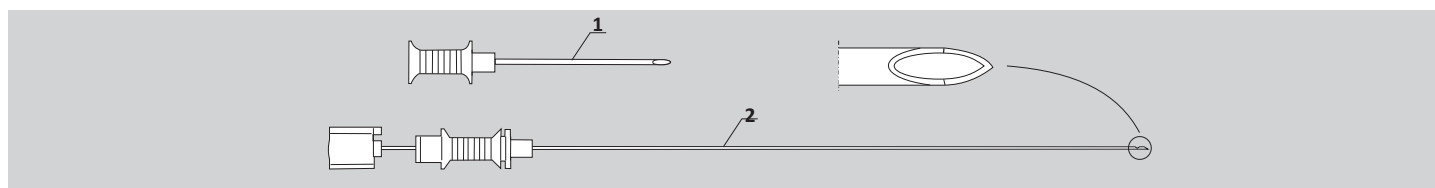
When ordering use Ref. Number, e.g.: IPPW27G90

SPINAL ANAESTHESIA NEEDLE STANDARD (QUINCKE point)

Set components:

1 - guiding needle

2 - spinal needle standard (Quincke point)



Reference:	Guiding needle size	Spinal needle STANDARD size / length	Hub colour
IPPS18G50	---	18G / 50 mm	pink
IPPS18G90	---	18G / 90 mm	pink
IPPS19G50	---	19G / 50 mm	cream
IPPS19G90	---	19G / 90 mm	cream
IPPS20G50	---	20G / 50 mm	yellow
IPPS20G90	---	20G / 90 mm	yellow
IPPS21G50	---	21G / 50 mm	green
IPPS21G90	---	21G / 90 mm	green
IPPS22G50	---	22G / 50 mm	black
IPPS22G75	---	22G / 75 mm	black
IPPS22G90	---	22G / 90 mm	black
IPPS25G50	20G	25G / 50 mm	orange
IPPS25G75	20G	25G / 75 mm	orange
IPPS25G90	20G	25G / 90 mm	orange
IPPS26G50	20G	26G / 50 mm	brown
IPPS26G90	20G	26G / 90 mm	brown
IPPS26G130	20G	26G / 130 mm	brown
IPPS27G90	22G	27G / 90 mm	grey
IPPS29G90	22G	29G / 90 mm	red

When ordering use Ref. Number, e.g.: IPPS27G90

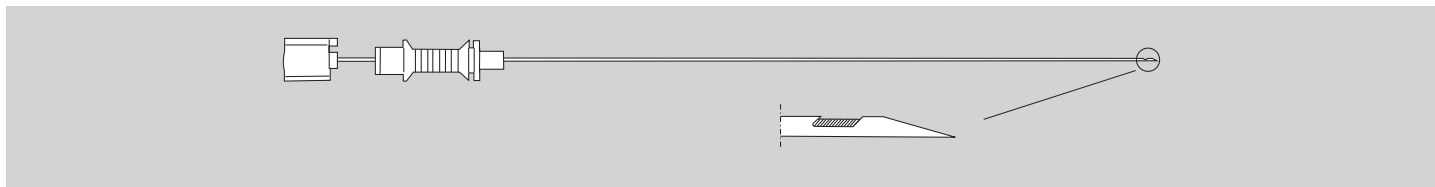
LUMBAR PUNCTURE NEEDLE (spinal needle STANDARD)



Reference:	Spinal needle STANDARD size / length	Hub colour
IPPS18G50	18G / 50 mm	pink
IPPS18G90	18G / 90 mm	pink
IPPS19G50	19G / 50 mm	cream
IPPS19G90	19G / 90 mm	cream
IPPS20G50	20G / 50 mm	yellow
IPPS20G90	20G / 90 mm	yellow
IPPS21G50	21G / 50 mm	green
IPPS21G90	21G / 90 mm	green

When ordering use Ref. Number, e.g.: IPPS27G90

BIOPSY NEEDLES WESTCOTT TYPE



Reference:	Needle WESTCOTT type size / length
IBW18G140	18G / 140 mm
IBW20G140	20G / 140 mm

When ordering use Ref. Number, e.g.: IBW20G140

BIOPSY NEEDLES MADAYAG TYPE also recommended as a needle for neurolysis

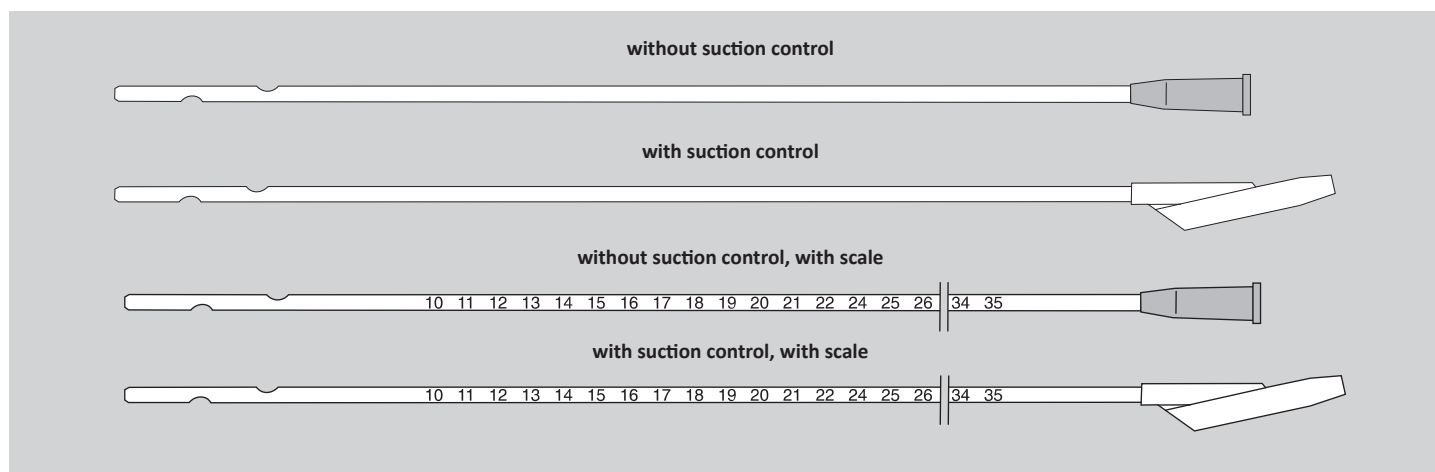


Reference:	Needle MADAYAG type size / length
IBM18G150	18G / 150 mm
IBM20G150	20G / 150 mm
IBM20G200	20G / 200 mm
IBM22G200	22G / 200 mm

When ordering use Ref. Number, e.g.: IBM22G200

UPPER RESPIRATORY TRACTS ASPIRATION CATHETERS

Standard: central hole and two side holes



Reference: standard with central hole and two side holes	Reference: standard with scale	Reference: with suction control and central hole and two side holes	Reference: with suction control and with scale	Catheter size / length	Hub colour
KOGDO4F40C	---	KOGDO4F40P	---	4F / 40 cm	white
KOGDO4F50C	---	---	---	4F / 50 cm	white
---	KOGDO6F40CZ	---	KOGDO6F40PZ	6F / 40 cm	green
KOGDO6F50C	---	KOGDO6F50P	---	6F / 50 cm	green
---	KOGDO8F40CZ	---	KOGDO8F40PZ	8F / 40 cm	blue
KOGDO8F50C	---	KOGDO8F50P	---	8F / 50 cm	blue
KOGDO10F60C	---	KOGDO10F60P	---	10F / 60 cm	black
KOGDO12F60C	---	KOGDO12F60P	---	12F / 60 cm	white
KOGDO14F60C	---	KOGDO14F60P	---	14F / 60 cm	green
KOGDO16F60C	---	KOGDO16F60P	---	16F / 60 cm	orange
KOGDO18F60C	---	KOGDO18F60P	---	18F / 60 cm	red

The catheter enables the aspiration of upper respiratory tract discharge.

It is possible, depending on the kind of aspirated discharge, to match a catheter with an adequate distal tip (central hole and side holes). The catheter is made from transparent material, which enables the observation of the discharge.

There are two catheter types: one is with controlled suction and the other one has no suction control.

NOTE: It is also possible to order the afore-mentioned types in the following versions:

A - only with central hole

When ordering use Ref. Number, e.g.: KOGDO12F50A or KOGDO12F50PA for version with suction control

B - with central hole and a side hole

When ordering use Ref. Number, e.g.: KOGDO16F60B or KOGDO16F60PB for version with suction control

T - with an atraumatic tip and with suction control - available for sizes from 10F to 18F

When ordering use Ref. Number, e.g.: KOGDO18F60PT

S - suitable for a syringe, available only for versions with central hole, sizes from 4F to 14F

When ordering use Ref. Number, e.g.: KOGDO12F60AS

PEDIATRIC POLYURETHANE CATHETER FOR UMBILICAL VEIN

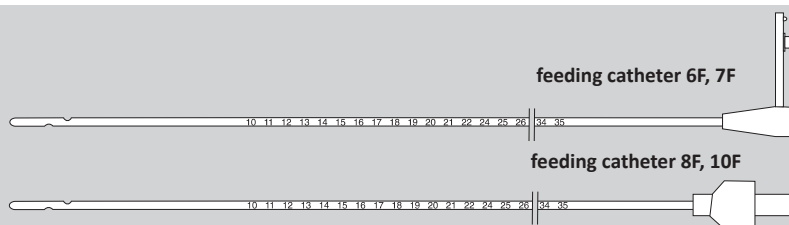


Reference:

Reference:	Catheter size / length
KP4F40	4F / 40 cm
KP5F40	5F / 40 cm
KP6F40	6F / 40 cm
KP8F40	8F / 40 cm

The high quality polyurethane pediatric catheter for the umbilical cord vein is used for cannulation of umbilical cord vessels. It can be utilised in exchange transfusions, measuring arterial blood pressure and blood collection. The catheter is made of polyurethane. When ordering use Ref. Number, e.g.: KP6F40

FEEDING CATHETERS



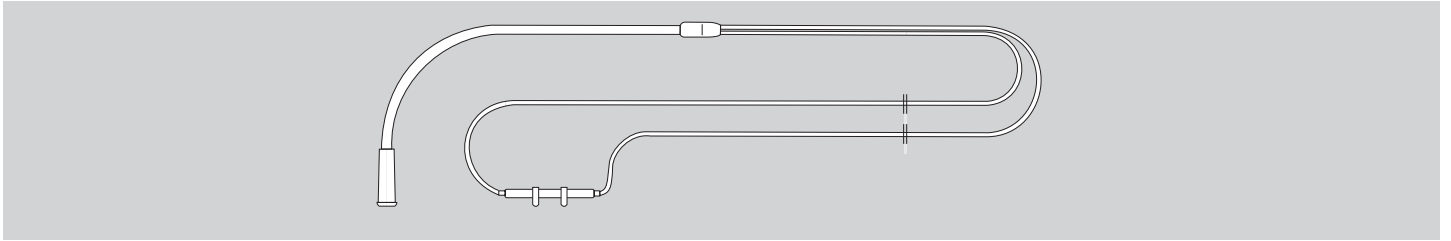
Reference:

Reference:	Catheter size / length
KK6F40	6F / 40 cm
KK6F100	6F / 100 cm
KK7F40	7F / 40 cm
KK7F100	7F / 100 cm
KK8F40	8F / 40 cm
KK8F100	8F / 100 cm
KK10F40	10F / 40 cm
KK10F100	10F / 100 cm

The catheter is made of PVC.

When ordering use Ref. Number, e.g.: KK10F100

CATHETER FOR OXYGEN RHYNSCOPICAL ADMINISTRATION



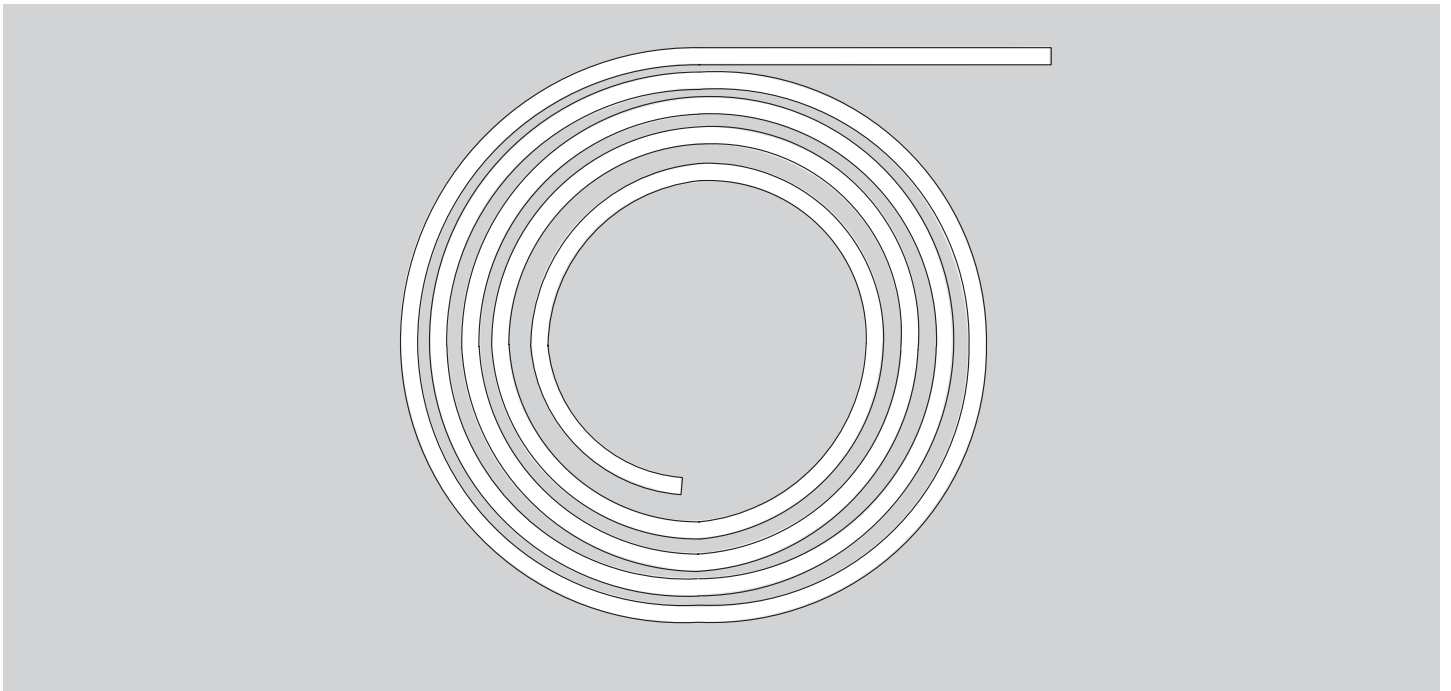
Reference:

KPTPN

The catheter enables oxygen administration without provoking irritation or mucous membrane desiccation. The nasal tubes included in the set feature soft atraumatic tips that minimize damage to the mucous membrane and nose tissues. The catheter is made of PVC.

When ordering use Ref. Number, e.g.: KPTPN

DRAIN TUBING



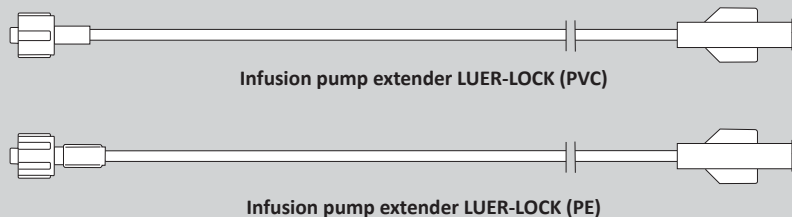
Ext. diameter: 1 mm to 12 mm
 Drain tubing: sterile or non-sterile

Reference:

D

When ordering use Ref. Number, e.g.: D

INFUSION PUMP EXTENDERS



Reference:
transparent
PVC

Reference:
PE

Hub type

Tube length

PPI90LL	PPI90LLPE	luer-lock	90 cm
PPI120LL	PPI120LLPE	luer-lock	120 cm
PPI150LL	PPI150LLPE	luer-lock	150 cm

A polyethylene (PE) extender is chemically more resistant.

We also offer extenders in different colours (for PVC only). To order a selected colour, add the appropriate letter corresponding to its catalogue number.

- CZ - black
- CZE - red
- N - blue
- POM - orange

When ordering use Ref. Number, e.g.: PPI120LL

INFUSION PUMP EXTENDERS WITH THREE-WAY STOPCOCK with Luer-Lock hub



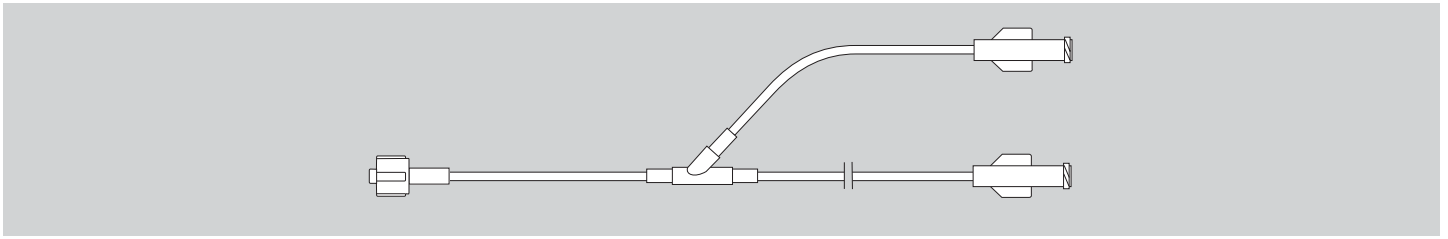
Reference:

Tube length

transparent	
PPIK37LL	7 cm
PPIK310LL	10 cm
PPIK320LL	20 cm
PPIK390LL	90 cm
PPIK3150LL	150 cm
black	
PPIK37LLCZ	7 cm
PPIK320LLCZ	20 cm
PPIK390LLCZ	90 cm
PPIK3150LLCZ	150 cm

When ordering use Ref. Number, e.g.: PPIR3150LLCZ

INFUSION PUMP EXTENDERS DUET with luer-lock hub


Reference:

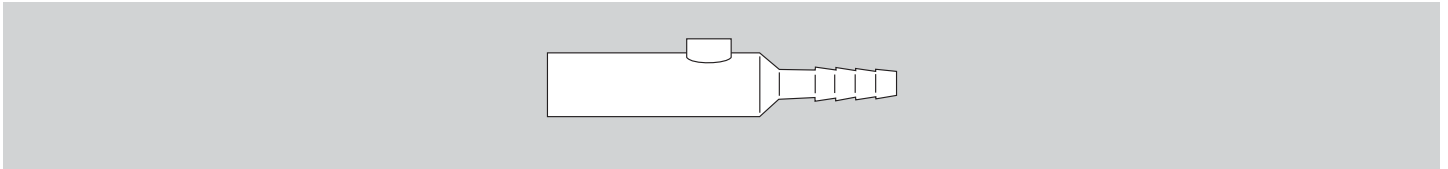
PPI150LLD

Tube length

150 cm

When ordering use Ref. Number, e.g.: PPI150LLD

NEONATAL MECONIUM ASPIRATOR

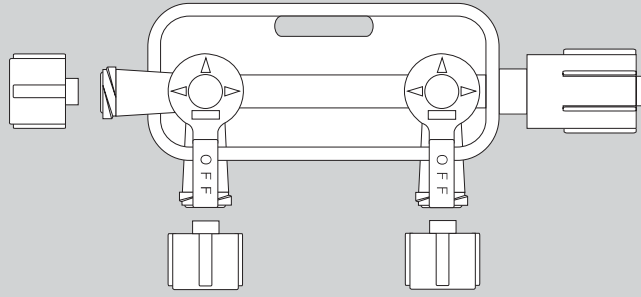

Reference:

ASP

In the meconium aspiration syndrome, it is necessary to suction thick meconium not only from the nose and pharynx but also from the trachea. For the best results, the procedure should be performed before the first breath of the neonate. To this end, the infant should be intubated, and the intubation tube should be connected to the aspirator, which in turn should be connected to the suction source.

When ordering use Ref. Number, e.g.: ASP

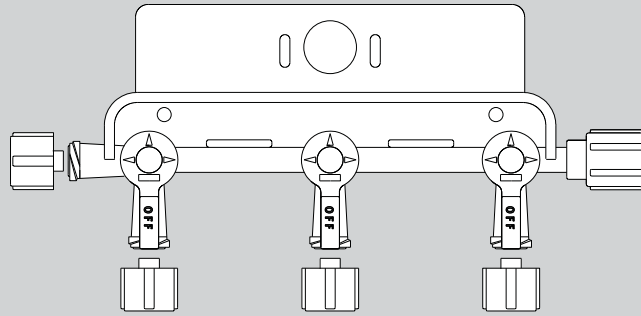
TWO-WAY STOPCOCK MANIFOLDS

**Reference:**

RAM2

When ordering use Ref. Number, e.g.: RAM2

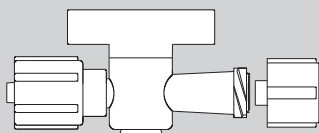
THREE-WAY STOPCOCK MANIFOLDS

**Reference:**

RAM3

When ordering use Ref. Number, e.g.: RAM3

ONE-WAY STOPCOCK


Reference:

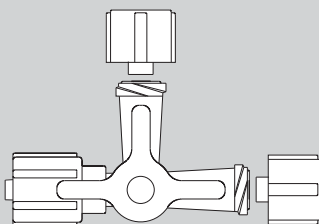
K1V20BARS

Destination:

high pressure

When ordering use Ref. Number, e.g.: R1V20BARS

THREE-WAY STOPCOCK


Reference:

K3V

K3V20BARS

Destination:

low pressure

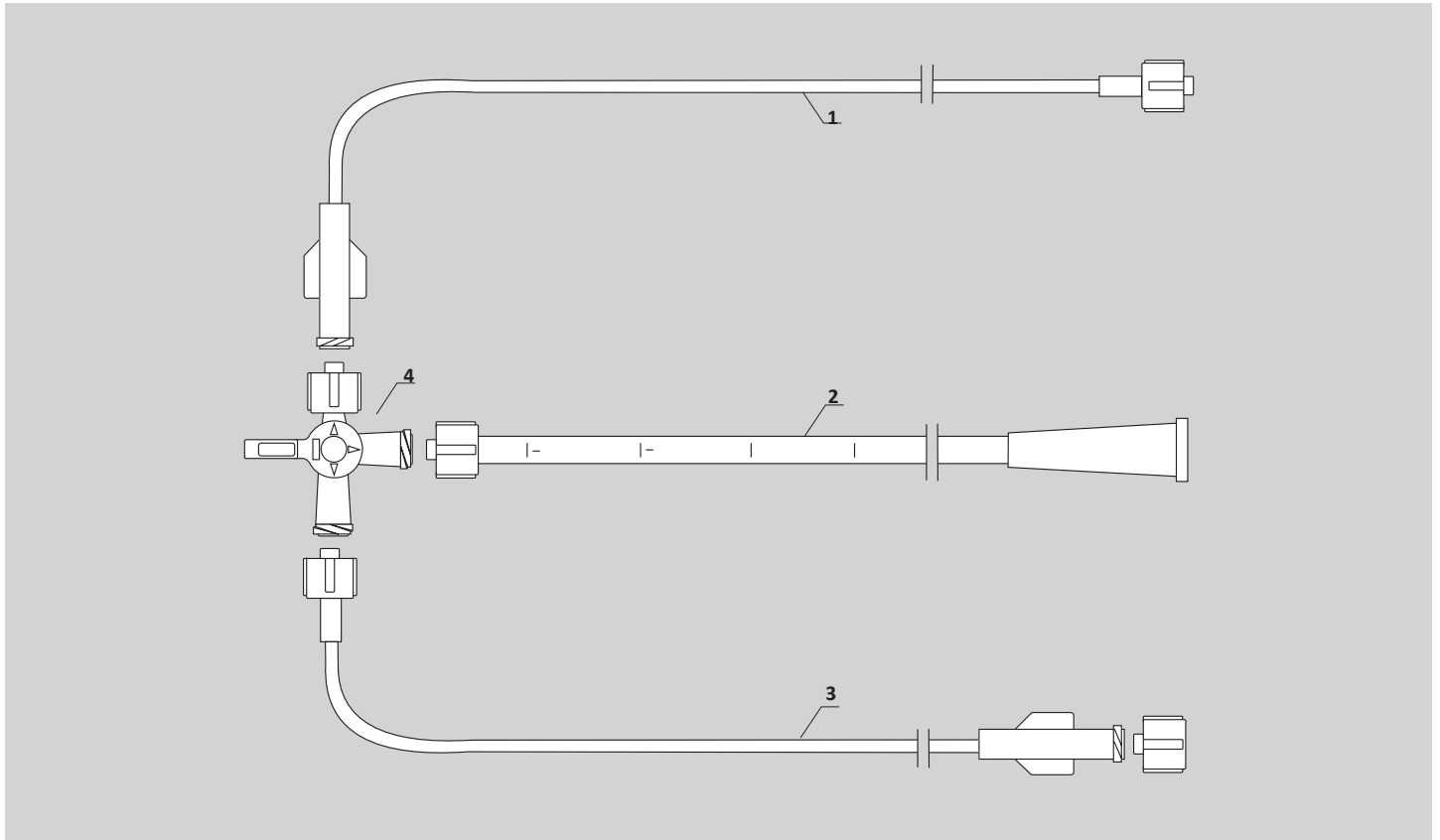
high pressure

When ordering use Ref. Number, e.g.: R3V

CENTRAL VENOUS PRESSURE MEASUREMENT SET

Set components:

- 1 - drain connecting the central port with the set
- 2 - measuring drain (graduated)
- 3 - drain connecting with the drop set to fulfill the measuring system
- 4 - three-way stopcock



Reference:

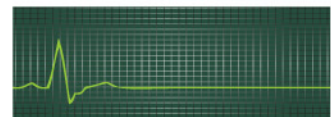
OCZ

When ordering use Ref. Number, e.g.: OCZ

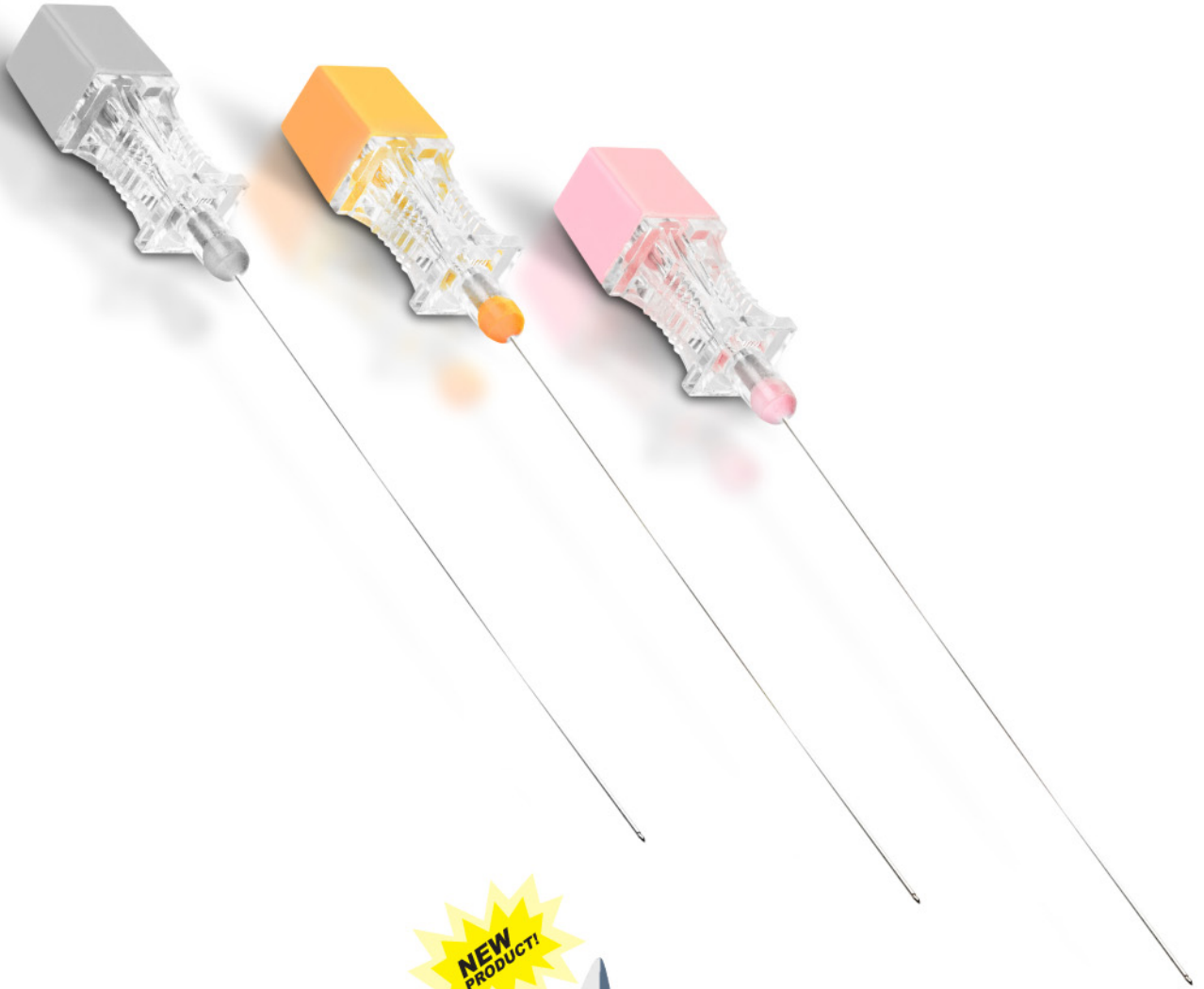


egemen[®]
INTERNATIONAL

regional anesthesia



spinal anesthesia needles



Atrau-com

- Multi-angle grinded tip with special bending
- Extra thin wall
- Atraumatic

pencil point

- Perfect conic elliptical bevel enables easy access to desired location, without cutting or harming tissues.


quincke tip

- Quincke bevel is formed using state of the art technology. Smooth needle point ensures easy insertion into tissues.
- Perfect matching of stylet and needle bevel prevent coring. Angular tip prevents tissue damage.
- Crystal clear needle hub enables monitoring fluid flow and helps to keep CSF loss at a minimum level.
- Thin wall needle lets faster fluid flow.

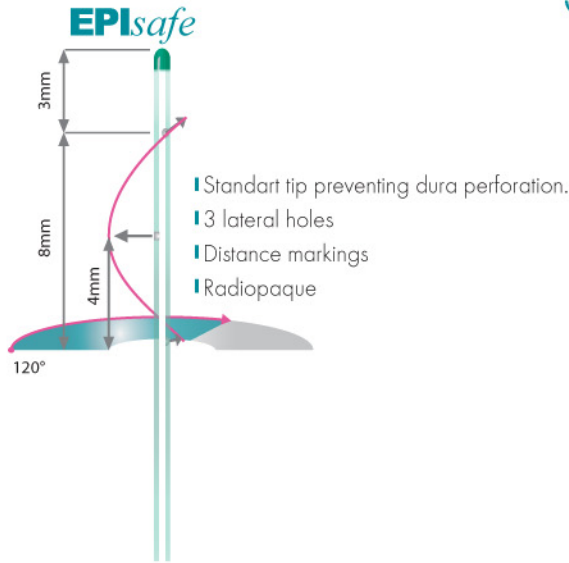
spinal anesthesia needles

sizes	reference	gauge	colour	length mm	length inch
	SPQ1875	18G	pink	75mm	3"
	SPQ1890			90mm	3½"
	SPQ1990	19G	orange	90mm	3½"
	SPQ2075	20G	yellow	75mm	3"
	SPQ2090			90mm	3½"
	SPQ2190	21G	green	90mm	3½"
	SPQ2240	22G	black	40mm	1½"
	SPQ2275			75mm	3"
	SPQ2290			90mm	3½"
	SPQ22120			120mm	4¾"
	SPQ2575	25G	orange	75mm	3"
	SPQ2590			90mm	3½"
	SPQ25103			103mm	4"
	SPQ25120			120mm	4¾"
	SPQ2690	26G	brown	90mm	3½"
	SPQ26120			120mm	4¾"
	SPQ2790	27G	grey	90mm	3½"
	SPQ27103			103mm	4"
	SPQ27120			120mm	4¾"
	SPQ2990	29G	red	90mm	3½"
*Guide needle is optional for sizes 25G, 26G, 27G					

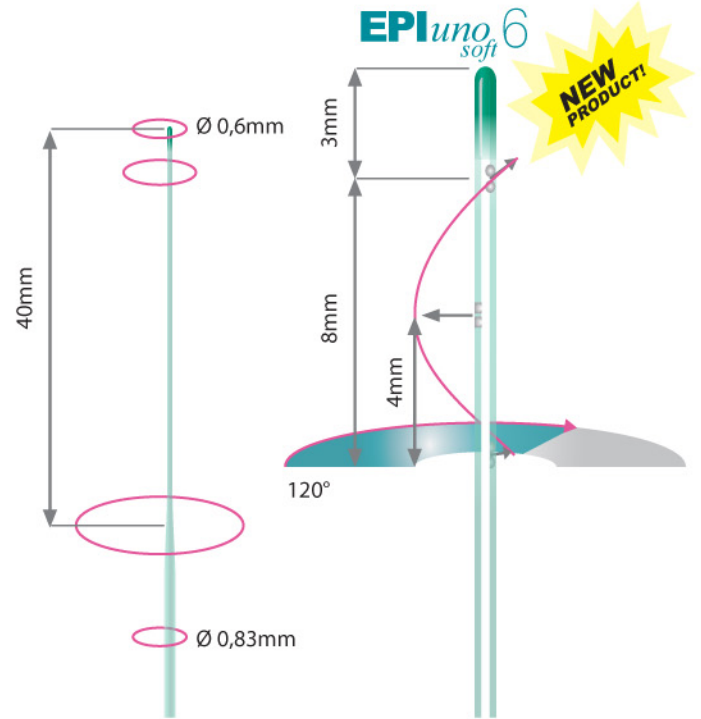
sizes	reference	gauge	colour	length mm	length inch
	SPP2290	22G	black	90mm	3½"
	SPP2590	25G	orange	90mm	3½"
	SPP2690	26G	brown	90mm	3½"
	SPP2790			90mm	3½"
	SPP27127	27G	grey	127mm	5"
	SPP27151			151mm	6"
*Guide needle is optional for sizes 25G, 26G, 27G					

sizes	reference	gauge	colour	length mm	length inch
	SPAK2690	26G	brown	88mm	3½"
	*20G guide needle,				

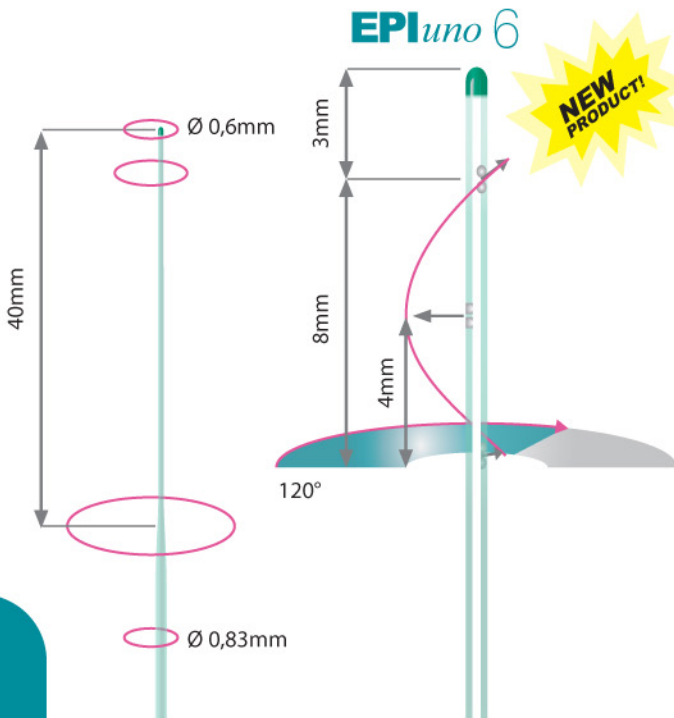
egemen catheters



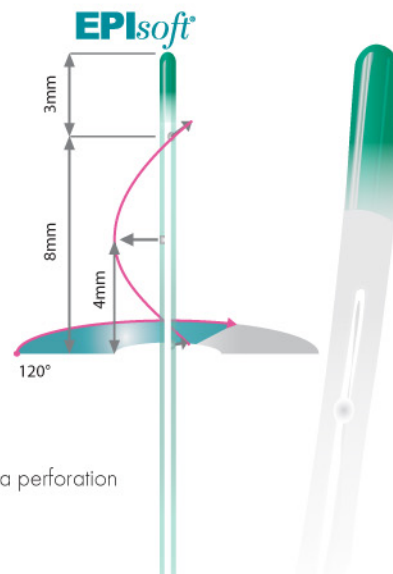
- Standard tip preventing dura perforation.
- 3 lateral holes
- Distance markings
- Radiopaque



- Diameter is reduced over the distal 40mm.
- Special soft tip for preventing dura perforation.
- Body temperature sensitive.
- 3 pairs, total 6 lateral holes.
- Distance marking.
- Radiopaque



- Diameter is reduced over the distal 40mm
- Body temperature sensitive
- 3 pairs, total 6 lateral holes
- Distance markings
- Radiopaque




- Distance markings
- Radiopaque
- Special soft tip for preventing dura perforation
- 3 lateral holes


This product is being manufactured by **egemex** INTERNATIONAL


epidural anesthesia needles



tuohy
 Perfect angular shape for excellent application

sizes	reference	gauge	colour	length mm	length inch
 tuohy	TH1690	16G	white	90mm	3½"
	TH1880	18G	pink	80mm	3¼"
	TH1890	18G	pink	90mm	3½"

sizes	reference	gauge	colour	length mm	length inch
 tuohy needle with back eye	EPD1880	18G	pink	80mm	3¼"
	EPD1890	18G	pink	90mm	3½"

sizes	reference	gauge	colour	length mm	length inch
 pediatric tuohy	PDT1850	18G	pink	50mm	2"
	PDT2050	20G	yellow	50mm	2"
	PDT2250	22G	black	50mm	2"

This product is being manufactured by **egemer** INTERNATIONAL

epidural anesthesia sets spinal epidural anesthesia sets



EPIfix®	<i>standard</i>	<i>mini A</i>	<i>mini B</i>	<i>mini C</i>	<i>extra</i>
epidural needle 16Gx90mm 18Gx80/90mm	■	■		■	■
lor syringe	■				
epijet automatic lor syringe					■
soft tip catheter with 3 lateral eyes			optional		
standard tip catheter with 3 lateral eyes	■	■	■	■	■
EPIUNO catheter with 6 lateral eyes			optional		
EPIUNO soft tip catheter with 6 lateral eyes			optional		
flexifix catheter fixing device	■				■
profix filter fixing device	■				■
epifit epidural filter	■	■	■		■
tuohy borst adaptor	■	■	■	■	■
epidural label	■	■	■	■	■

EPIfix® COMBIFix®

SAFE-WAY® combined application fixator



EPIjet® is optional in set content



COMBIFix®	standard	extra
epidural needle 16Gx90mm 18Gx90mm	▪	▪
tuohy needle with back eye 18Gx90mm		optional
27G spinal needle	▪	▪
lor syringe	▪	
epijet automatic lor syringe		▪
soft tip catheter with 3 lateral eyes		optional
standard tip catheter with 3 lateral eyes	▪	▪
EPIUNO catheter with 6 lateral eyes		optional
EPIUNO soft tip catheter with 6 lateral eyes		optional
flexifix catheter fixing device	▪	▪
profix filter fixing device	▪	▪
epifit epidural filter	▪	▪
tuohy borst adaptor	▪	▪
epidural label	▪	▪

This product is being manufactured by **egemen® INTERNATIONAL**

pediatric caudal anesthesia needles





CAUFIX



Needle tip is grinded using high technology procedure to obtain ideal angular shape for pediatric application

32° Crawford tip



sizes	reference	gauge	colour	length mm	length inch
caudal 	KAU2050	20G		50mm	2"
	KAU2235	22G		35mm	1 3/8"
	KAU2530	25G		30mm	1 1/8"

This product is being manufactured by **egemex** INTERNATIONAL

automatic lor syringe

EPIjet®



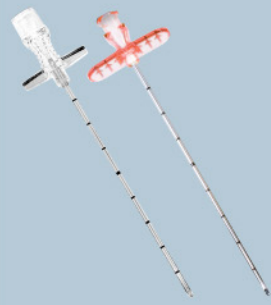











EPIjet®

- Ergonomic structure provides comfortable application and safe manipulation.
- 4cc or 6cc volume with binary locking system.
- By letting both hands of physician to be free, enables perfect control on Tuohy needle.



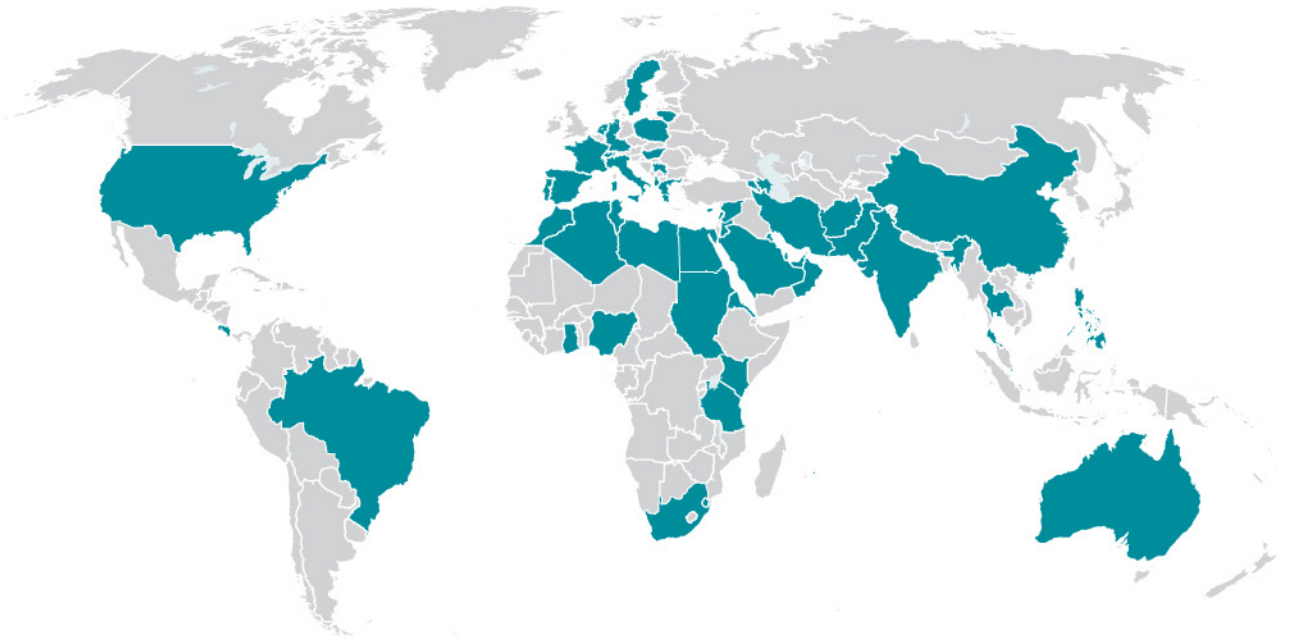
This product is being manufactured by **egemen** INTERNATIONAL

components

products	reference
	EPI1690 Epidural Needle 16Gx90mm
	EPI1880 Epidural Needle 18Gx80mm
	EPI1890 Epidural Needle 18Gx90mm
	EPD1880 Epidural needle with back eye for combined anesthesia application 18GX80mm
	EPD1890 Epidural needle with back eye for combined anesthesia application 18GX90mm
	EPI LOR LOR 10ml Loss of resistance syringe
	EPOYE EPI_{use} Automatic Lor Syringe
	EPKTT3 EPI_{safe} Standard tip epidural catheter with 3 lateral holes
	EPKTT3S EPI_{soft} Soft tip Epidural catheter with 3 lateral holes
	EPIUNO EPI_{uno} 6 Epidural catheter with 3 pairs of lateral holes
	EPIUNOS EPI_{uno soft} 6 Soft tip epidural catheter with 3 pairs of lateral holes
	FLEX FLEXiFix Catheter fixing device
	PROF PROFiX Filter fixing device
	EPYF EPIFIT 0,2 micron, 8 bar resistance epidural filter
	EPKNT Ergonomically designed tuohy borst adaptor

This product is being manufactured by **egemen** INTERNATIONAL

Egemen *around the world!*



egemen[®]
INTERNATIONAL

phone: +90 232 259 32 10 - fax: +90 232 277 47 15 Izmir TURKEY
www.egemen.com.tr - info@egemen.com.tr

Istanbul Europe Regional Office: +90 530 548 25 09 • Istanbul Asia Regional Office: +90 530 928 47 42
Ankara Regional Office: +90 533 268 85 32 • Erzurum Regional Office: +90 530 928 47 42

